

BS-2026 Biological Microscope



BS-2026M



BS-2026B

Introduction

BS-2026 series biological microscopes are economic and easy to operate with clear image. These microscopes adopt LED illumination and ergonomics design, comfortable for observation. These microscopes are widely used in educational, academic, agricultural and study field. Rechargeable battery compartment is standard for outdoors operation or places that power supply is not stable.

Feature

1. Comfortable operation with ergonomic design.
2. Rechargeable LED illumination system. The built-in rechargeable module in the base can be charged when the microscope is working. With long battery life, the microscopes can work when there is no power supply. Charging indicator on the right side of the base is clear to know the power supply working status.



Built-in rechargeable module



Charging indicator

3. Cord rest on back of the microscope. The power supply plug can be wrapped at the back of the microscope, it is helpful to clean the working environment and effective to avoid the accident when moving the microscope.

Adopted USB power cable, it can be powered by computer(laptop) or portable power source, more convenient and flexible.



4. Compact and flexible, ideally suited for desktop, laboratory worktable.

Application

BS-2026 series microscopes are ideally suited for school biological education and medical analyses area to observe all kinds of slides. They can be widely used in schools, clinics, hospitals, academic labs and scientific research department.

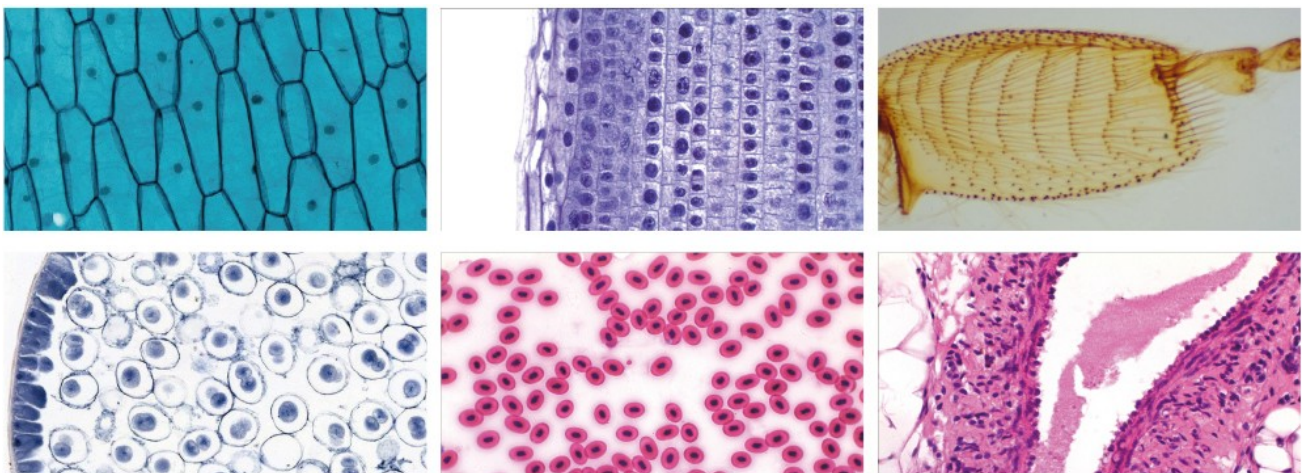
Specification

Item	Specification	BS-2026M	BS-2026B	BS-2026T	
Optical System	Finite Optical System	●	●	●	
Viewing Head	Monocular Head, Inclined at 30°, 360° Rotatable, with locking mechanism for eyepieces	●			
	Seidentopf Binocular Head, Inclined at 30°, 360° Rotatable, with locking mechanism for eyepieces, right diopter adjustment:±5, Interpupillary Distance 50-75mm		●		
	Seidentopf Trinocular Head, Inclined at 30°, 360° Rotatable, with locking mechanism for eyepieces, right diopter adjustment:±5, Interpupillary Distance 50-75mm, Light Distribution Eyepiece: Trinocular=50:50			●	
Eyepiece	PL10×/18mm	●	●	●	
	PL10×/18mm with pointer	○	○	○	
	PL10×/18mm with eyepiece micrometer	○	○	○	
Objective	Achromatic Objective	4×/0.10, WD=21.50mm	●	●	●
		10×/0.25, WD=6.26mm	●	●	●
		40×(S)/0.65, WD=0.48mm	●	●	●
		100×(S,Oil)/1.25, WD=0.15mm	○	●	●
	Plan Achromatic Objective	4×/0.10, WD=15.09mm	○	○	○
		10×/0.25, WD=8.57mm	○	○	○
		20×(S)/0.40, WD=8.72mm	○	○	○

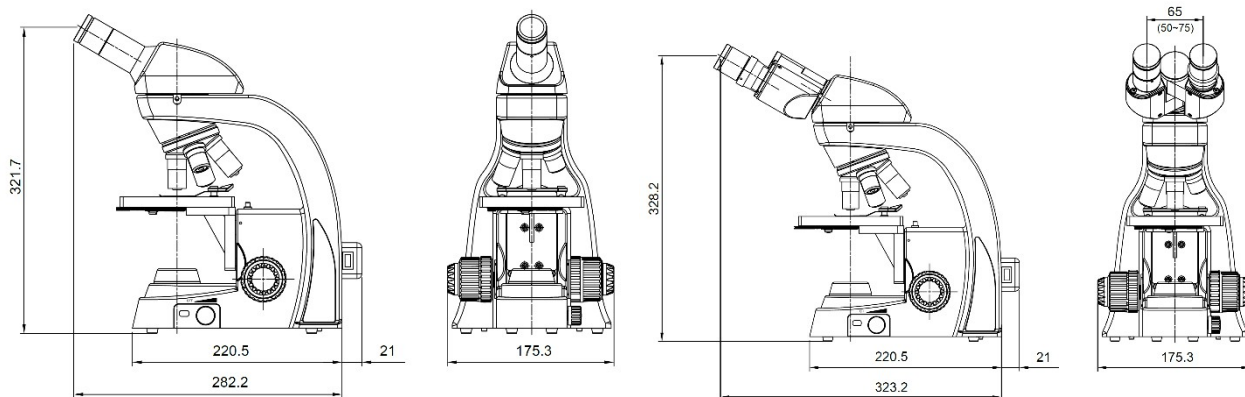
		40×(S)/0.65, WD=0.38mm	○	○	○
		100×(S,Oil)/1.25, WD=0.09mm	○	○	○
Nosepiece	Backward Quadruple Nosepiece		●	●	●
Stage	Single Layer Stage with two clips, Stage size 110×120mm		●	○	○
	Double Layers Mechanical Stage 115×125mm/ 70×30mm		○	●	●
Focusing	Low-position coarse and fine adjustment with stop and tighten structure, moving range: 13mm (combine with single layer stage), 7mm (combine with double layers mechanical stage); fine precision 0.002mm		●	●	●
Condenser	NA 0.65 simple condenser with five-hole rotatable diaphragm		●	○	○
	NA 1.25 Abbe condenser with iris diaphragm and filter holder		○	●	●
Illumination	0.2W LED illumination (color temperature 5700-6500K), intensity adjustable; external power adapter (input 100V-240V, output 5V/1A), with rechargeable battery compartment (for 3pcs Ni-MH AA battery, battery not included)		●	●	●
	0.2W LED illumination (color temperature 5700-6500K), intensity adjustable; external power adapter (input 100V-240V, output 12V/3.3A), microscope body output of 12V/3.3A for built-in camera, with rechargeable battery compartment (for 3pcs Ni-MH AA battery, battery not included)		○	○	○
C-mount Adapter	0.35× C-mount (Adjustable)				○
	0.5× C-mount (Adjustable)				○
	0.65× C-mount (Adjustable)				○
	1× C-mount (Adjustable)				○
Packaging	1pc/carton, 44cm*47cm*24cm, GW:6kgs, NW: 5kgs		●	●	●

Note: ● Standard Outfit, ○ Optional

Sample Images



Dimension



Unit: mm