

BS-2063F(LED) LED Fluorescence Microscope



BS-2063FT(LED)

Introduction

BS-2063F(LED) Series LED Fluorescence Microscope is specifically designed for the daily routine work in the demanding applications of education, pathology investigation, clinical and laboratory usage. Innovative LED as fluorescence illumination source, provide excellent image with easy and comfortable usage experience.

Feature

1. Six-holes disk fluorescence unit, More fluorescence filters can be supplied



2. Reckless Wire Driven Mechanical Fixed Stage with focus lock is safer than traditional stage



3. Quintuple turret phase contrast unit with 10X/20X/40X/100X Infinite plan phase contrast objective phase contrast and bright field observation.



for

4. Other accessories.

- N.A.0.9/0.13 Swing-out Condenser
- Dark field condenser (dry) available to 4X-60X Objective
- Dark field condenser (oil) available to 100X Objective

- Infinite Plan Objectives



Specification

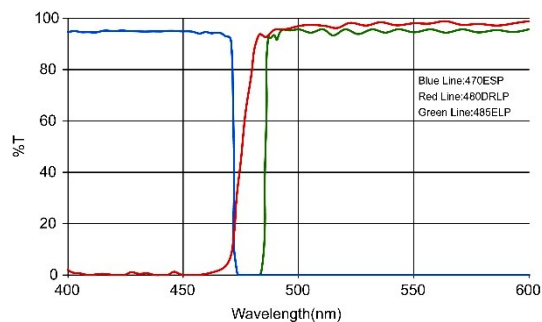
Item	Specification	BS-2063 FB(LED)	BS-2063 FT(LED)
Optical System	Color Corrected Infinite Optical System	●	●
Viewing Head	Seidentopf Binocular Head, Inclined 30°, Rotatable 360°, Interpupillary Distance: 48-76mm	●	
	Seidentopf Trinocular Head, Inclined 30°, Rotatable 360°, Interpupillary Distance: 48-76mm, Light distribution (both): 100: 0 (100% for eyepiece) 80:20(80% for trinocular head and 20% for eyepiece)		●
Eyepiece	WF10×/22mm (Diopter adjustable), tube diameter: 30mm	●	●
	WF15×/16mm (Diopter adjustable)	○	○
	WF10×/22mm with 0.1mm eyepiece micrometer	○	○
Infinite Plan Achromatic Objective	4×/0.10, W.D.=12.10mm	●	●
	10×/0.25, W.D.=4.64mm	●	●
	20×/0.40(S), W.D.=2.41mm	●	●
	40×/0.65 (S), W.D.=0.65mm	●	●
	100×/1.25(S, Oil), W.D.=0.12mm	●	●
	2.5×/0.07 W.D.=8.47mm	○	○

	60×/0.80(S) W.D.=0.33mm	○	○
	100×/1.15(S, Water) W.D.=0.19mm	○	○
Nosepiece	Backward Quintuple Nosepiece	●	●
Stage	Rackless Double Layers Mechanical stage, Size: 182mm×140mm, Travel Range: 77mm×52mm, Scale: 0.1mm, Two Slide Holder	●	●
Condenser	Swing out condenser N.A.0.9/0.13, with iris diaphragm	●	●
Focusing	Coaxial Coarse and Fine Focusing Knob, Coarse Focusing Travel Range: 25mm, Coarse Stroke 42.4mm/rotation, Fine Stroke 0.2mm/Rotation, Fine division: 2μm	●	●
Koehler	6V/30W Halogen Lamp with Field Diaphragm, Brightness Adjustable	●	●
Illumination	3W LED Illumination with Field Diaphragm, Brightness Adjustable	○	○
Dark Field Unit	Dark field condenser (Dry), apply to 4×- 40× objective	○	○
	Dark Field Condenser (Oil), apply to 100× objective	○	○
Polarizing Unit	Analyzer and Polarizer	○	○
Phase Contrast Unit	Quintuple hole turret unit with 10×/20×/40×/100× phase contrast objective	○	○
	Independent slot with 10×/20×/40×/100× phase contrast objective	○	○
Fluorescent Attachment	100W Mercury Epi-Fluorescence unit (Six-hole disc, Auramine O/Uv/V/B/G and another filters)	○	○
	3W LED Epi-Fluorescence unit (Six-hole disc, B & G filters)	●	●
	Auramine O /U/V filters and corresponding fluorescence lamps	○	○
Video Adapter	1× C-mount (Used for DSLR cameras or large format microscope camera)		○
	0.5× C-mount (focus adjustable, used for microscope camera)		●
Photo Adapter	Used for CANON / NIKON / OLYMPUS/ SONY DLSR cameras		○
Filter	Blue	●	●
	Green/ Amber/Grey	○	○
Power Supply	Wide voltage input: 100V ~ 240V	●	●
Packing	1 carton/set, Packing Size: 755mm×340mm×440mm, Gross Weight: 17 kgs, Net Weight: 15 kgs	●	●

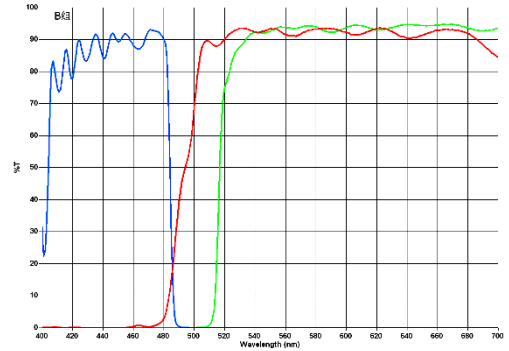
Note: "●" In Table Is Standard outfits, "○" Is Optional Accessories.

Fluorescent filters

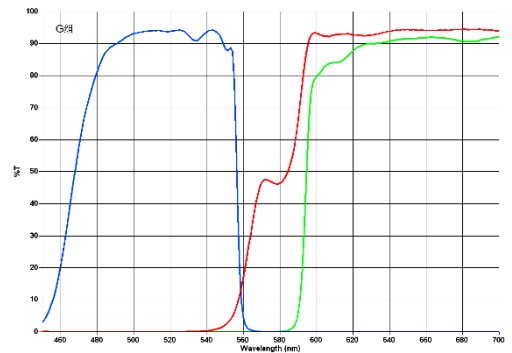
Auramine O	Wavelength (nm)
Exciter	470Sp
Dichroic	480DRLP
Barrier	485LP



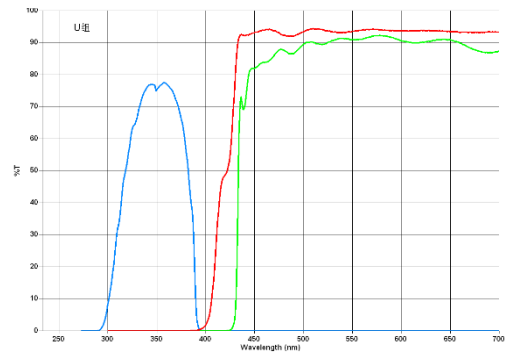
B Excitation Wavelength (nm)
Exciter 470/37
Dichroic 505LP
Barrier 515LP



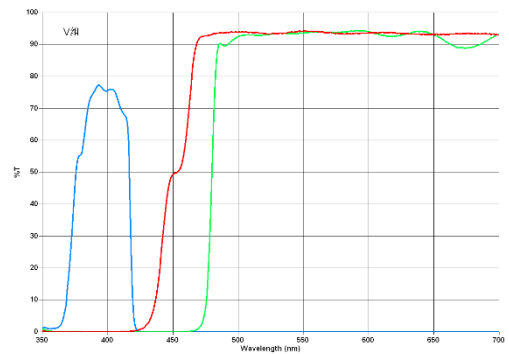
G Excitation Wavelength (nm)
Exciter 500-550
Dichroic 575
Barrier 590



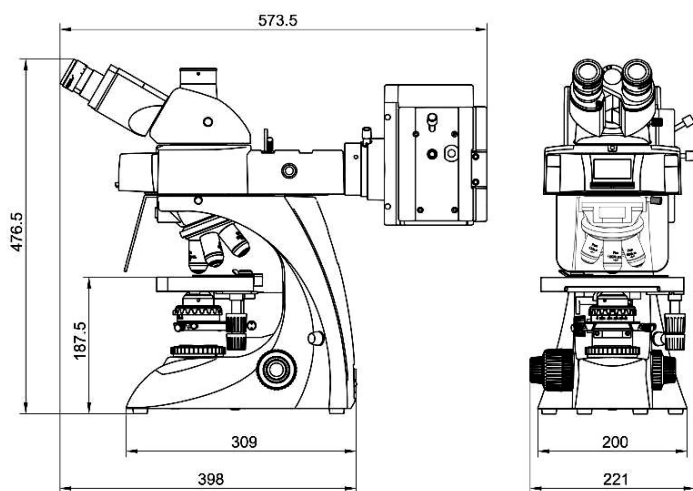
Uv Excitation Wavelength (nm)
Exciter 330-380
Dichroic 400
Barrier 435



V Excitation Wavelength (nm)
Exciter 380-420
Dichroic 430
Barrier 460



Dimension



Unit: mm

Layout Diagram

