

BS-2052 Biological Microscope



BS-2052A



BS-2052A(ECO)



BS-2052B



BS-2052BT(ECO)

Introduction

BS-2052 series microscopes are classical biological microscopes with ingenious stand, high definition optical system, sharp image and comfortable operation, which make your work much enjoyable.

Feature

1. High contrast and sharp image with high quality optical system.
2. Low environment requirement with Anti-mould technology.
3. Comfortable operation with low position coarse and fine adjustment knobs.
4. ECO function is optional, automatically turn off after 15 mins of no use.
5. With cord rest on the back, making the working table clean and tidy.



Application

BS-2052 series microscopes are ideal instruments in biological, pathological, histological, bacterial, immune, pharmacological and genetic fields. They can be widely used in medical and sanitary establishments, such as hospitals, clinics, laboratories, medical academies, colleges, universities and related research centers.

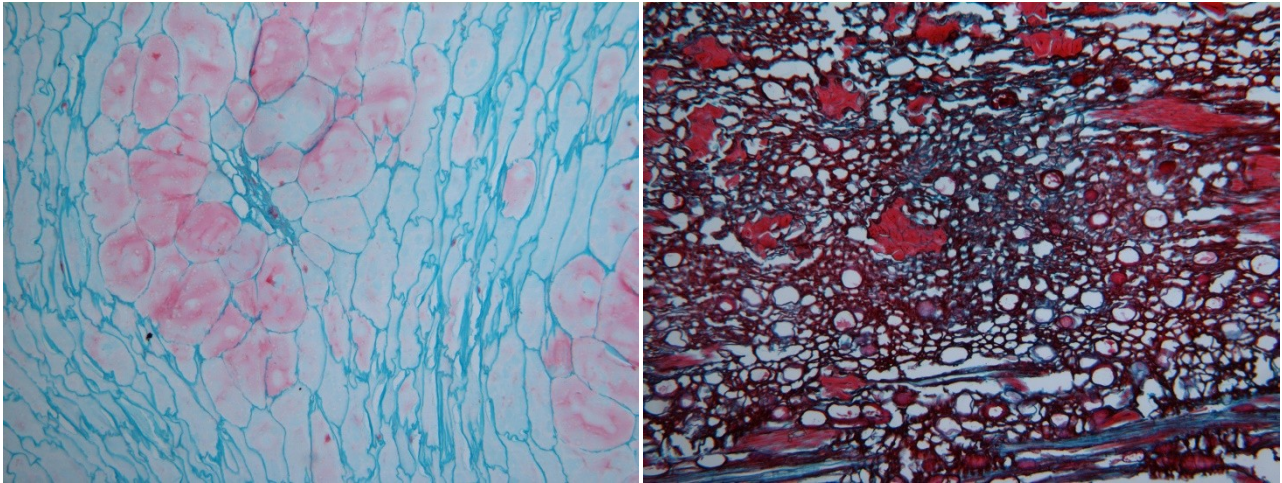
Specification

Item	Specification	BS-2052A	BS-2052B
Optical System	Finite Optical System	●	
	Infinite Optical System		●
Eyepiece	WF10×/18mm	●	
	WF10×/20mm		●
Viewing Head	Monocular Head, inclined at 30°	○	
	Seidentopf Binocular Head, inclined at 30°, Interpupillary 47-78mm	●	●
	Seidentopf Trinocular Head, inclined at 30°, Interpupillary 47-78mm	○	○
	Digital Binocular Head with built-in camera, Inclined at 30°, Interpupillary Distance 47-78mm, 5.0MP, Support Wifi	○	○
	Digital Binocular Head with Tablet camera, Inclined at 30°, Interpupillary Distance 47-78mm, 5.0MP, 8" LCD, Android OS	○	○
Objective	Finite Achromatic Objectives 4×, 10×, 40×, 100×	●	
	Finite Achromatic Objectives 20×, 60×	○	
	Finite Semi-Plan Achromatic Objectives 2×, 4×, 10×, 20×, 40×, 60×, 100×	○	
	Finite Plan Achromatic Objectives 4×, 10×, 20×, 40×, 60×, 100×	○	
	Infinite Semi-Plan Achromatic Objectives 4×, 10×, 40×, 100×		●
	Infinite Plan Achromatic Objectives 2×, 4×, 10×, 20×, 40×, 60×, 100×		○
	Infinite Plan Fluorescent Objective 4×, 10×, 20×, 40×, 100×		○
Nosepiece	Backward Quadruple Nosepiece	●	●
	Backward Quintuple Nosepiece	○	○
Stage	Double Layers Mechanical Stage 140mm×140mm, Moving Range 75mm×50mm	●	
	Rackless Double Layers Mechanical Stage 150mm×139mm, Moving Range 75mm×52mm		●
Condenser	Abbe Condenser NA1.25	●	●
	Dark Field Condenser (Dry / Oil)	○	○
Focusing	Coaxial Coarse and Fine Adjustment, Fine Division 0.002mm, Moving Range 25mm	●	●
Illumination	S-LED Illumination, Brightness Adjustable	●	●
	S-LED Illumination with Rechargeable Battery, Brightness Adjustable	○	○
	6V/20W Halogen Lamp, Brightness Adjustable	○	○
	Kohler Illumination	○	○
	ECO Function, automatically turn off after 15 mins of no use	○	○
	Plane-concave Mirror	○	○

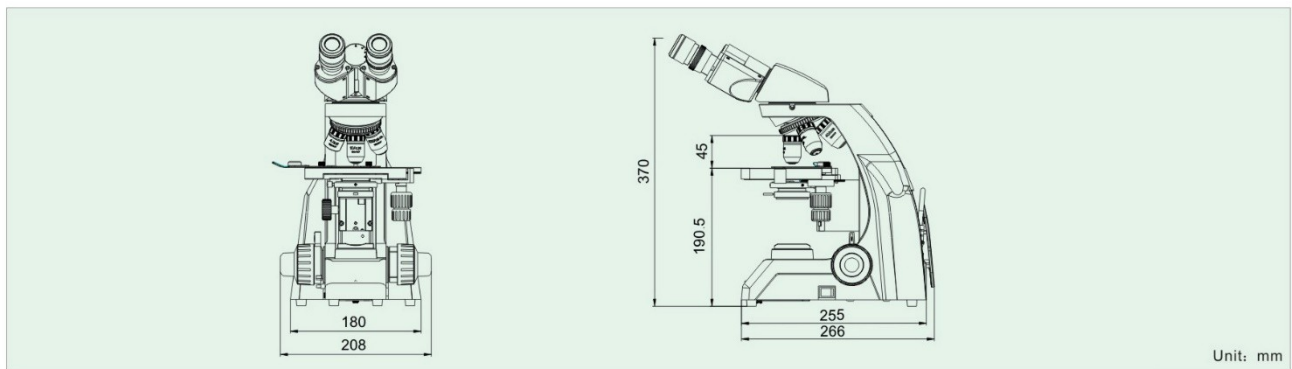
Optional accessories	Phase Contrast Kit	○	○
	Polarizing Set	○	○
	FL-LED Epi-fluorescent Attachment		○
Package	1pc/carton, 36*26*46mm, gross weight: 8kg	●	●

Note: ● Standard Outfit, ○ Optional

Sample Image



Dimension



Unit: mm