

BS-6001 Series Metallurgical Microscope



BS-6001BR

Introduction

BS-6001 Series Metallurgical Microscopes are professional microscopes which are specially designed for metallurgical and alloy analysis. With excellent optical system, Ingenious stand and convenient operation, they will be your best choice.

Features

1. Widely used in industrial and mining enterprises, teaching, research and other fields.
2. Precision instruments for inspection, analysis and research of electronic, metal and alloy materials, minerals, geology areas.
3. Complete infinite long working distance metallographic objective.
4. Provide bright field and polarized light observation.
5. 5V-12V Low voltage input can ensure safe use, power bank can be used for power supply, which is more convenient for field inspection and power-short condition.
6. Product details are as following:





L.W.D Metallurgical Objective

200mmX140mm Stage

① Analyzer, ② Polarizer, ③ Five-hole turret filter unit, ④ Aperture diaphragm, ⑤ 5W LED illuminator

Application

BS-6001 Series Metallurgical Microscopes are widely used for PCB board, LCD display and metal structure observation and inspection. It also can be used for analysis of mineral stones and similar materials.

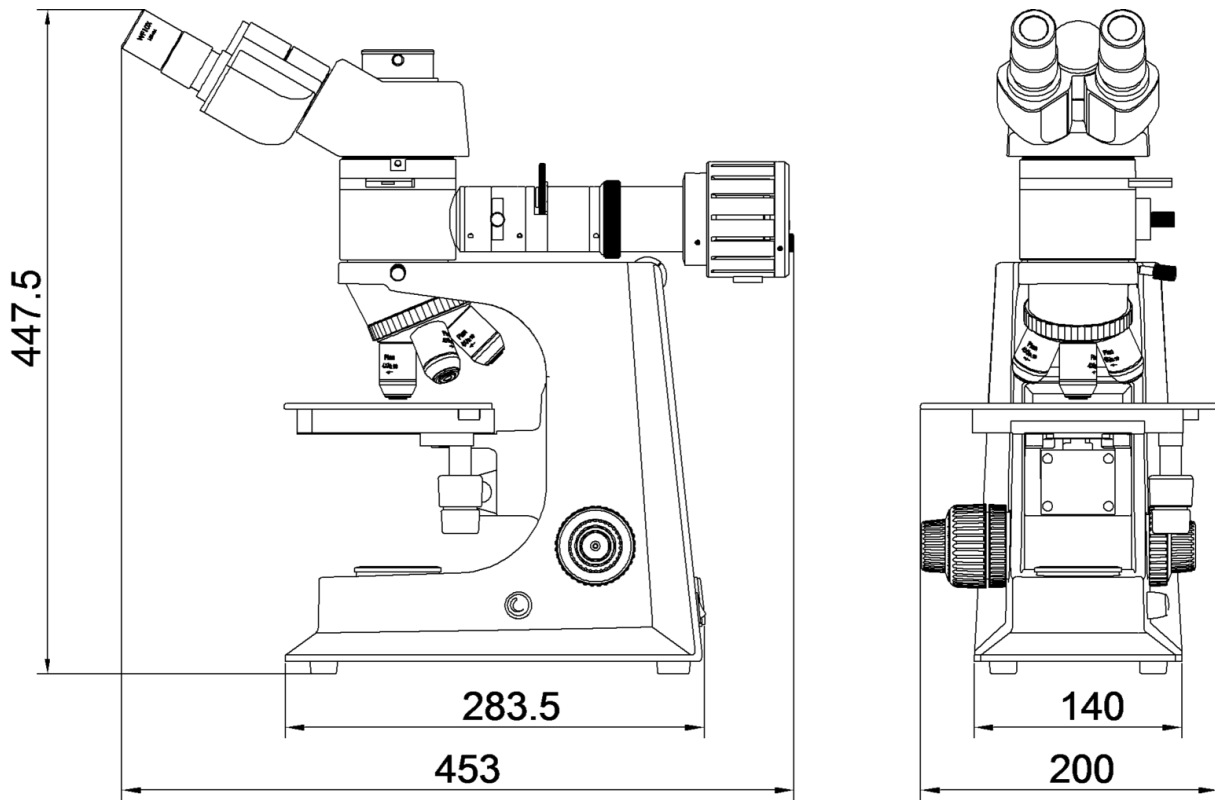
Specification

Item	Specification	BS-6001BR	BS-6001TR	BS-6001BTR	BS-6001TTR
Optical System	Infinite Optical System	•	•	•	•
Viewing Head	Seidentopf binocular head, inclined at 30°, Rotatable 360°, interpupillary distance 48-75mm	•		•	
	Seidentopf trinocular head, inclined at 30°, Rotatable 360°, interpupillary distance 48-75mm, Light Distribution 80(camera):20(eyepiece)		•		•
Eyepiece	WF10×/20mm (High eyepoint)	•	•	•	•
	WF10×/20mm with 0.1mm micrometer	○	○	○	○
Long Working Distance	5×/0.13/∞/- WD 16.04mm	•	•	•	•
	10×/0.25/∞/- WD 18.48mm	•	•	•	•
Infinite Plan Objective	20×/0.40/∞/0 WD 8.35mm	○	○	○	○
	50×/0.70/∞/0 WD 1.95mm	•	•	•	•

(no cover glass)	80×/0.80/∞/0 WD 0.85mm	○	○	○	○
	100×/0.85/∞/0 WD 3.00mm	○	○	○	○
Nosepiece	Backward Quadruple Nosepiece	●	●	●	●
	Backward Quintuple Nosepiece	○	○	○	○
Stage	Double layer mechanical stage 200×140mm, moving range 76×52mm	●	●	●	●
Focusing	Coaxial Coarse & Fine Focusing Knob, Travel Range: 26mm, Scale: 2um	●	●	●	●
Illumination	Epi-illumination with iris aperture diaphragm, 5W LED lamp, Brightness adjustable	●	●	●	●
	Transmitted Illumination, 3W LED Lamp, Brightness Adjustable	○	○	●	●
Filters	Five-hole filter unit(blue, green, amber, grey, empty)	●	●	●	●
Polarizing Set	Analyzer/ Polarizer	○	○	○	○
Specimen Presser	For metallurgical specimen preparation	○	○	○	○
C-mount	1×				○
	0.5× (Focus Adjustable)				○
Packing Size	570mm×275mm×450mm, Gross Weight: 10.5kgs, Net Weight: 8 kgs	●	●	●	●

Note: ●Standard parts ○Optional parts

Dimension



Unit: mm

Sample Images

